

For built-in AC Stabilizer in Appliance

IWATA KOSAN CO., LTD.

TEL : 0494-25-4093

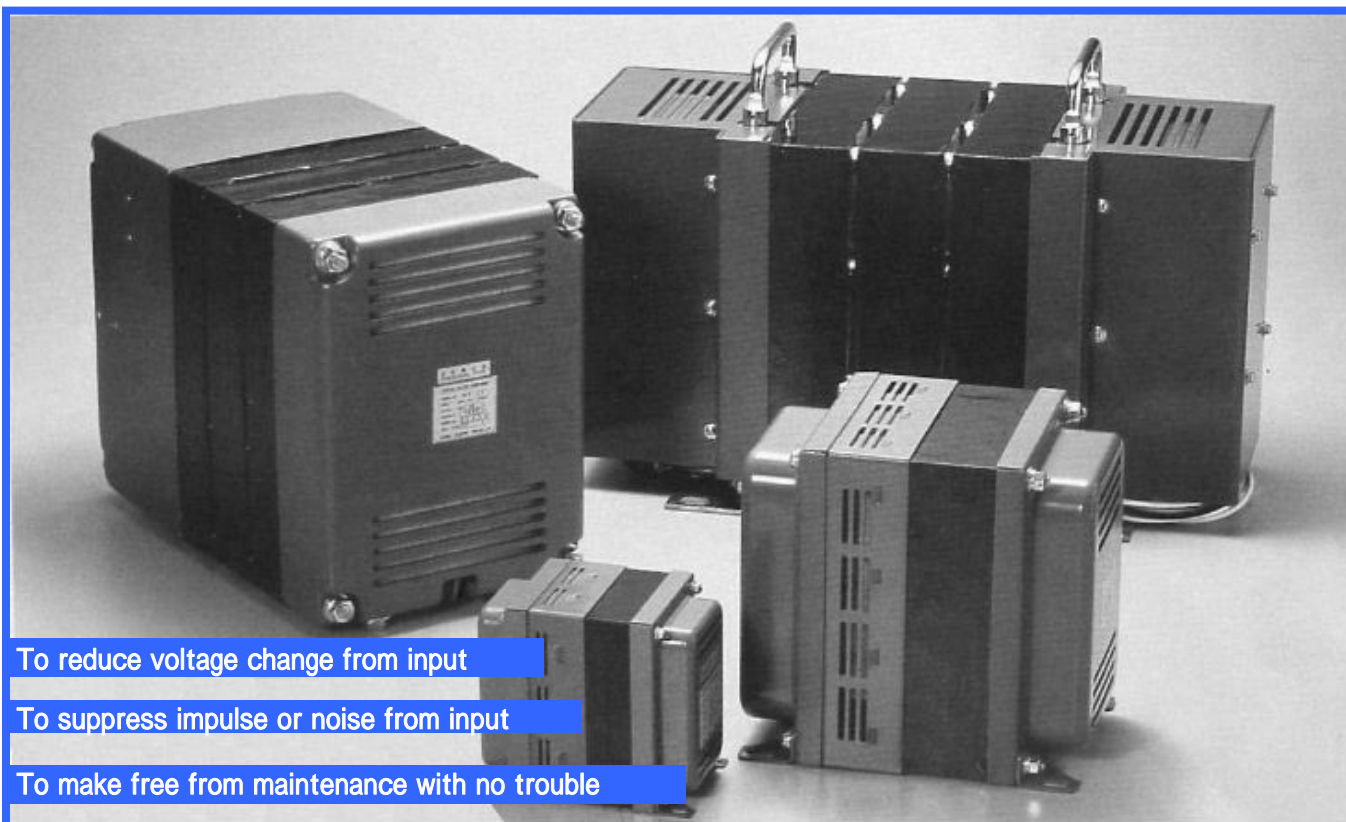
FAX : 0494-24-6325

URL: <http://www.iwata-ko3.co.jp/>

E-mail : h.abe@iwata-ko.co.jp

C V T

Constant Voltage Transformers --- for AC line supplies



To reduce voltage change from input

To suppress impulse or noise from input

To make free from maintenance with no trouble

Specifications of Standard type

Series Name		DBL type	DBLC type	LC type
Output capacity		15VA-1KVA	15VA-1KVA	400VA-1.6KVA
Input	Voltage	Rating 100V(Range 80-110V)		Rating Voltage 100V(Variation range 80-110V) Rating Voltage 200V(Variation range 170-240V)
	Frequency	50/60Hz(Both usable by selection of PVC lead wires)		
Output	Voltage	100V	100V or 200V	
	Deviation	from -2% to +2% (Full load)		
	Accuracy	2% max (Full load of resistance, full input variation range)		
	Distortion	About 25%-ordinary type	5% max (Full load of resistance) -low distortion type	
Current limit		About 180% of Rating output current (Rating input voltage)		
Recovery from transient		40msec max (When instant variation of input voltage)		
Insulation	Resistance	100M ohm max by DC500V Insulation Tester (In room Temp. and Humid.)		
	Withstanding	AC1500V 1 minute		
Temp/Humid in operating		from -10 to +50 deg(C) / from 10 to 90% RH		
Temperature rise		LC type and 500VA&1KV A of DBL,DBLC type: 70deg(C) max, others: 50 deg(C) max		
Insulation class		LC type and 500VA&1KV A of DBL,DBLC type: class B, others: class A		

Specifications of Custom type

Output capacity - - - - -3.0KVA max/unit

Input voltage variation - -Range from -20% to +10% for Rating voltage

Frequency - - - - -50Hz or 60Hz (Both are also accessible)

Output voltage - - - - - Designed as custom spec.

Accuracy - - - - - 2% max (Full load of resistance, full input variation range)

Deviation - - - - - 1 output from -2% to +2%, more than 2 output from -3% to +3%

Recovery time - - - - -40msec max (When instant variation of input voltage)

Efficiency - - - - - More than 500VA 85%, 120-250VA 80%, 60VA 70%, 30VA 60%, 15VA 50%, typically.

Distortion - - - - - 5% max (DBLC, LC, DBC, HC type)=compensated type, about 25%-no compensated type

These are typical specifications, please contact us if you need special specifications.

Fig. 1



Fig. 2



Fig. 3

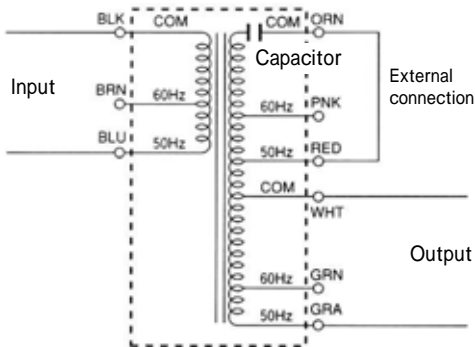


Fig. 4



Circuit Diagram for DBL type

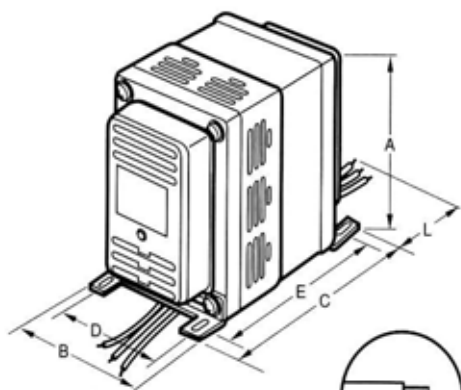
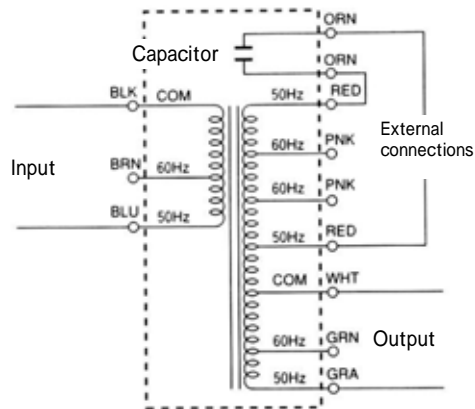
This connection indicates in the case of 50Hz.



Please connect lead wire of built-in capacitor to terminal in external. Unnecessary lead wires must be insulated to each other.

Circuit Diagram for LC,DBLC type

This connection indicates in the case of 50Hz.



Lead wire length:
Less than 500VA --- 300mm
Others --- 500mm

Lead end shape

DBL type Ordinary type

Input 100V (DBL-1 ~ 7) --- Input 80-110V, 50/60Hz

Output voltage 100V, distortion about 25%

Model	Capacity VA	A mm	B mm	C mm	D mm	E mm	Holes mm	Weight kg	Fig. No.
DBL-1	15	96	67	107	55	90	3.5X9	1.5	3
DBL-2	30	96	67	120	55	101	3.5X9	1.9	3
DBL-3	60	112	81	138	66	117	4.5X11	2.9	3
DBL-4	120	137	97	168	80	142	5.5X14	5.0	3
DBL-5	250	188	135	191	116	155	6.5X16	10.0	3
DBL-6	500	241	181	235	97	136	Attached	22.4	4
DBL-7	1000	241	181	310	97	211	3/8" screws	40.1	4

DBLC type Low distortion type

Input 100V(DBLC-1 ~ 7) --- Input 80-110V, 50/60Hz

Output voltage 100V, distortion 5% max

Input 200V(DBLC-12 ~ 72) - Input 170-240V, 50/60Hz

Output voltage 200V, distortion 5% max

Model	Capacity VA	A mm	B mm	C mm	D mm	E mm	Holes mm	Weight kg	Fig. No.
DBLC-1,12	15	96	67	108	55	89	3.5X9	1.4	3
DBLC-2,22	30	112	81	126	66	105	4.5X11	2.5	3
DBLC-3,32	60	137	97	154	80	128	5.5X14	4.2	3
DBLC-4,42	120	137	97	186	80	160	5.5X14	6.5	3
DBLC-5,52	250	188	135	197	116	162	6.5X16	11.7	3
DBLC-6,62	500	241	181	247	97	148	Attached	25.4	4
DBLC-7,72	1000	241	181	329	97	230	3/8" screws	44.1	4

LC type Low distortion type (Low cost type)

Input 100V(LC-400 ~ 1600) - Input 80-110V, 50/60Hz

Output voltage 100V, distortion 5% max

Input 200V(2LC-400 ~ 1600) Input 170-240V, 50/60Hz

Output voltage 200V, distortion 5% max

Model	Capacity VA	A mm	B mm	C mm	D mm	E mm	Holes mm	Weight kg	Fig. No.
LC,2LC-400	400	188	135	200	116	162	6.5X16	15.0	3
LC,2LC-630	630	260	185	240	160	136	10.5X20.5	25.0	Rem
LC,2LC-1000	1000	300	185	270	160	161	10.5X20.5	33.0	1
LC,2LC-1600	1600	300	185	440	160	261	10.5X20.5	61.0	2

Remarks - The figure of LC,2LC-630 comply with Fig.1, except they are not installed Pulls.

IWATA KOSAN CO.,LTD.

Sales & mfg 〒368-0005 1200 Ohnohara Chichibu-city Saitama Japan

TEL : 0494-25-4093 FAX : 0494-24-6325

Head office 〒150-0031 9-7 Sakuraoka Sibuya-ku Tokyo Japan

TEL : 03-3496-6601 FAX : 03-3462-2913

Information in this catalogue is subject to change without notice.